



# SERVICE PARTS LIST

**BULLETIN NO.**  
**54-05-0326**

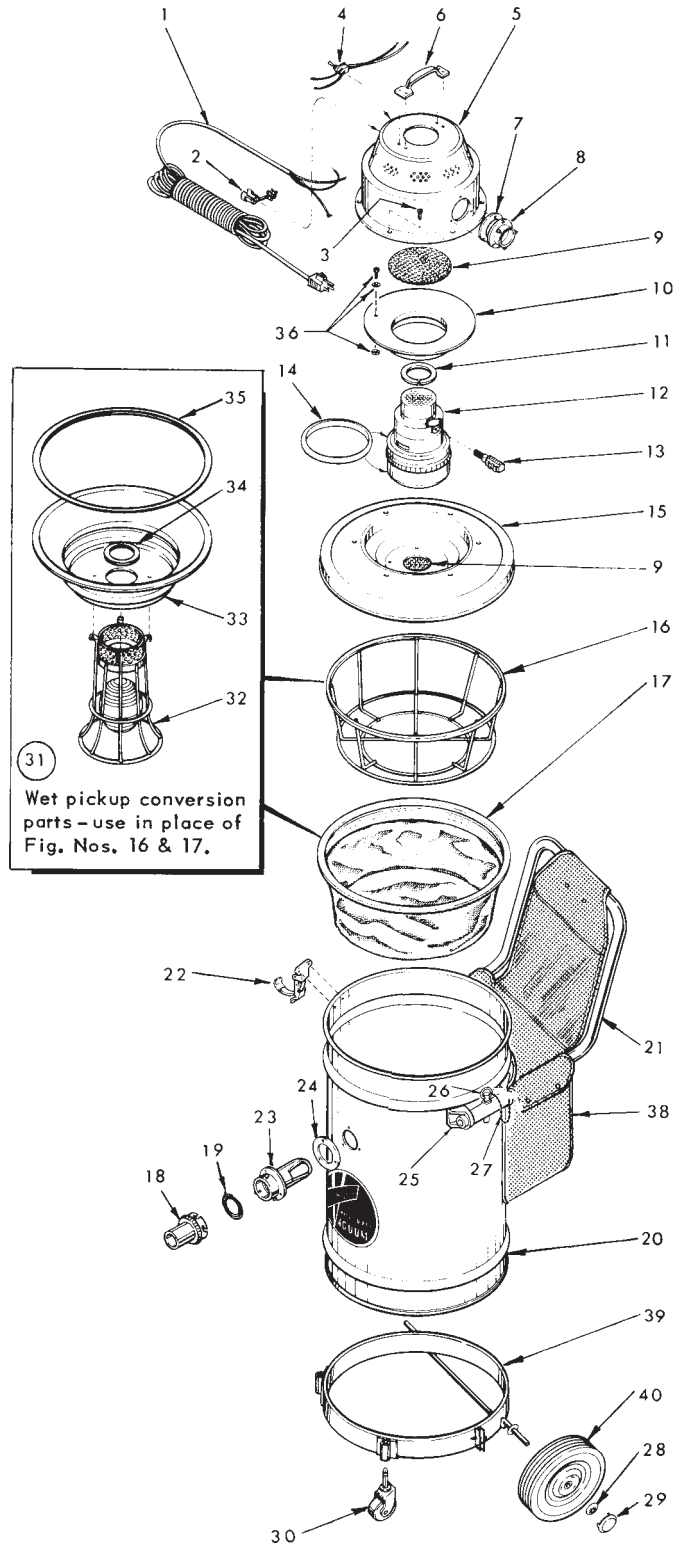
|   |             |                                |                   |
|---|-------------|--------------------------------|-------------------|
| <b>SPECIFY CATALOG NO. AND SERIAL NO. WHEN ORDERING PARTS</b> |             | REVISED BULLETIN<br>54-05-0325 | DATE<br>Jan. 2003 |
| <b>HEAVY-DUTY VACUUM CLEANER</b>                              |             |                                |                   |
| <b>CATALOG NO.</b>  | <b>8911</b> | <b>STARTING SERIAL NO.</b>     | <b>637-6397</b>   |
| WIRING INSTRUCTION  |             |                                |                   |

**EXAMPLE:**

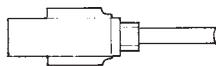


Component Parts (Small #)  
Are Included When Ordering  
The Assembly (Large #).

| FIG. | PART NO.   | DESCRIPTION OF PART  | NO. REQ. |
|------|------------|--|----------|
| 1    | 22-64-0700 | Cord Set   | (1)      |
| 2    | 44-76-0020 | Cord Protector   | (1)      |
| 3    | 06-85-2000 | 12 x 1/2 Phillips Type B Pan Hd. Screw                       | (6)      |
| 4    | 23-66-0870 | Switch   | (1)      |
| 5    | 42-92-0350 | Motor Cover Assembly (Incl. Figs. 6 thru 9)                  | (1)      |
| 6    | 43-62-0510 | Handle   | (1)      |
| 7    | 43-44-0335 | Gasket   | (1)      |
| 8    | 42-86-0070 | Connector  | (1)      |
| 9    | 45-03-0120 | Perforated Aluminum Screen                                   | (1)      |
| 10   | 42-04-0440 | Motor Adapter  | (1)      |
| 11   | 43-44-0360 | Motor Top Gasket   | (1)      |
| 12   | 23-30-0100 | Small Bypass Motor Assembly                                  | (1)      |
| 13   | -----      | Carbon Brush and Holder (Set)<br>(Refer to bottom of page)   | (1)      |
| 14   | 43-44-0390 | Motor Gasket   | (2)      |
| 15   | 42-92-0270 | Container Cover with Screen                                  | (1)      |
| 16   | 49-90-0270 | Wire Frame   | (1)      |
| 17   | 49-90-0260 | Cloth Filter and Gasket                                      | (1)      |
| 18   | 49-90-0150 | Swivel End Connector (Incl. Fig. 19)                         | (1)      |
| 19   | 43-44-0275 | Fitted Gasket  | (1)      |
| 20   | 42-51-0350 | Steel Dust Container Assy.<br>(Incl. Figs. 21 thru 27)       | (1)      |
| ★ 21 | 43-62-0920 | Push Handle  | (1)      |
| 22   | 42-68-0290 | Hold Down Clamp  | (3)      |
| 23   | 42-86-0080 | Inlet Connector Assembly                                     | (1)      |
| 24   | 43-44-0370 | Gasket   | (1)      |
| ★ 25 | 42-36-1550 | Handle Bracket   | (2)      |
| ★ 26 | 44-60-0860 | Pin and Ring Assembly  | (2)      |
| ★ 27 | 42-60-0180 | Chain Assembly   | (2)      |
| 28   | 06-57-7505 | Pal Nut  | (2)      |
| 29   | 42-52-0220 | Hub Cap  | (2)      |
| 30   | 45-94-0140 | Swivel Bearing Caster  | (2)      |
| 31   | 49-90-1610 | Wet Pick-up Conversion Pan Assy.<br>(Incl. Figs. 32 thru 35) | (1)      |
| 32   | 42-46-0110 | Float Cage Assembly  | (1)      |
| 33   | 44-54-0050 | Wet Pan Adapter  | (1)      |
| 34   | 43-44-0340 | Shut Off Gasket  | (1)      |
| 35   | 43-44-0330 | Gasket   | (1)      |
| 36   | 06-05-0010 | Ground Screw Assembly  | (1)      |
| 38   | 49-90-0250 | Tool Caddy Bag   | (1)      |
| ★ 39 | 43-08-0195 | Dolly Ring Body  | (1)      |
| 40   | 45-94-0130 | Wheel  | (2)      |
|      | 49-90-0301 | Filter Bags (Pkg. of Five, Not Shown)                        | (1)      |



22-18-0430



22-18-0530